

SPEC SHEET

Rev 8-25-2020
SKU 5175317



D4-12 FOUR-POST LIFT

SKU 5175317

DESCRIPTION

12,000-lb. Capacity / Four-Post Lift

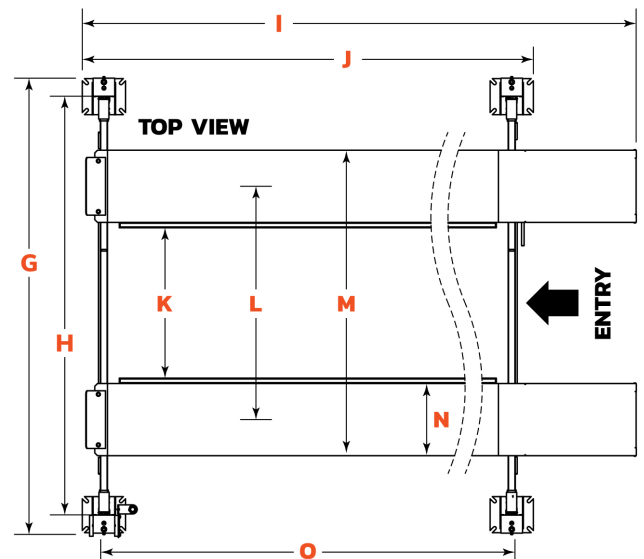
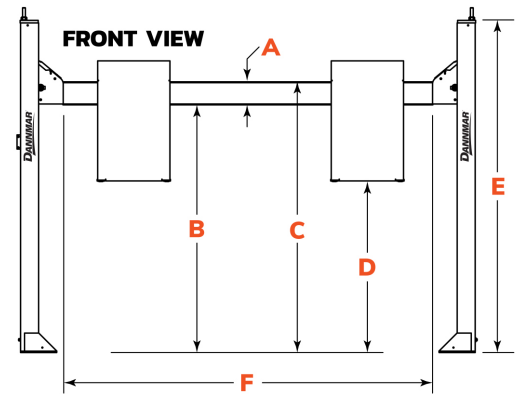
Dannmar's D4-12 four-post lift is engineered to handle up to 12,000-lbs. lifting capacity and provide the rugged durability your shop or garage needs. These are commercial-grade vehicle lifts from Dannmar and they have become the benchmark of quality throughout the industry.



SPECIFICATIONS

Model	D4-12
SKU#	5175317
Lifting Capacity	12,000 lbs. (5,443 kg)
A - Min. Runway Height	6.75" (171 mm)
B - Max. Rise	68.75" (1,746 mm)
C - Max. Lifting Height	77.5" (1,969 mm)
D - Ramp Clearance* (Max. Rise)	49" (1,245 mm)
E - Height of Columns	92" (2,337 mm)
F - Drive-Thru Clearance	98" (2,482 mm)
G - Overall Width	127.5" (3,239 mm)
H - Width Between Columns	115.75" (2,940 mm)
I - Overall Length	233.5" (2,940 mm)
J - Outside Columns	115.75" (2,940 mm)
K - Width Between Runways	34.5" (876 mm) or 41.5" (1,054 mm)
L - Runway Centerline	54.5" (1,384 mm) or 61.5" (1,562 mm)
M - Outside Edge of Runways	74.5" (1,892 mm) or 81.5" (2,070 mm)
N - Runway Width	20" (508 mm)
O - Length of Runways	194.75" (4,947 mm)
Min. Wheelbase @ Rated Capacity	140" (3,556 mm)
Min. Wheelbase @ 75% Capacity	120" (3,048 mm)
Min. Wheelbase @ 50% Capacity	100" (2,540 mm)
Min. Wheelbase @ 25% Capacity	80" (2,032 mm)
Locking Positions	15 (spaced every 4" / 102 mm)
Lifting Time	60 sec
Motor	220 VAC / 60 Hz / 1 Ph

* Approach ramps can be removed.



1-877-432-6627

sales@dannmar.com

www.dannmar.com

1645 Lemonwood Dr.
Santa Paula, CA 93060